

Section A1  
Table of Contents

**STANDARD ENTRANCES**

**Series 213 Narrow Stile**

**Series 380 Medium Stile**

**Series 500 Wide Stile**

Specifications - Series 213, 380 & 500 .....	S1-S6
Features and Benefits.....	1
Selection Guide .....	2
Hardware Locations .....	3-4
Series 213 Narrow Stile Details .....	5
Series 380 Medium Stile Details.....	6
Series 500 Wide Stile Details.....	7
Entrance Options.....	8

Page Left Intentionally Blank

## GUIDE SPECIFICATION

Manufacturer:

Coral Architectural Products  
3010 Rice Mine Road  
Tuscaloosa, AL. 35406  
Voice: (800) 772-7737  
Fax: (800) 443-6261

### SECTION 08410 ALUMINUM ENTRANCES AND STOREFRONTS

This suggested guide specification has been developed using the current edition of the Construction Specifications Institute (CSI) "Manual of Practice," including the recommendations for the CSI 3 Part Section Format and the CSI Page Format. Additionally, the development concept and organizational arrangement of the American Institute of Architects (AIA) MASTERSPEC Program was recognized in the preparation of this guide specification. Neither CSI nor AIA endorse specific manufacturers and products. The preparation of the guide specification assumes the use of standard contract documents and forms, including the "Conditions of the Contract," published by the AIA.

### PART 1 – GENERAL

#### 1.01 Summary

- A. Section Includes: Entrances by Coral Architectural Products, including glass and glazing, door hardware and components.
1. Types of Coral Architectural Products Entrances:
    - a. [213] Swing Door; Narrow stile, 2-1/8" vertical face dimension, 1-3/4" depth.
    - b. [380] Swing Door; Medium stile, 3-3/4" vertical face dimension, 1-3/4" depth.
    - c. [500] Swing Door; Wide stile 5" vertical face dimension, 1-3/4" depth.

EDITOR NOTE: BELOW RELATED SECTIONS ARE SPECIFIED ELSEWHERE. HOWEVER, CORAL ARCHITECTURAL PRODUCTS RECOMMENDS SINGLE SOURCE RESPONSIBILITY FOR ALL OF THESE SECTIONS AS INDICATED IN 2.07: SOURCE QUALITY CONTROL.

- B. Related Sections:
1. Section 08450 – All Glass Entrances
  2. Section 08491 – Sliding Doors
  3. Section 08491 – Aluminum Mall Sliding Doors
  4. Section 08520 – Aluminum Framed Window Wall
  5. Section 08700 – Finish Hardware
  6. Section 08900 – Curtain Wall Systems

#### 1.02 References (Industry Standards)

EDITOR NOTE: REFER TO INDEX FOR ANY AND ALL APPLICABLE STANDARDS.

#### 1.03 System Description

- A. Entrance Performance Requirements:
1. Wind loads: Provide framing system; include anchorage, capable of withstanding wind load design pressures of (\_\_\_\_) P.S.F. inward (\_\_\_\_) P.S.F. outward. The design pressures are based on the (\_\_\_\_) Building Code; (\_\_\_\_) Edition.
  2. Air Infiltration: For single acting offset pivot or butt hung entrances in the closed and locked position, the test specimen shall be tested in accordance with ASTM E 283 at a pressure differential of 6.24 PSF for single doors and 1.567 PSF for pairs of doors. A single 3'0" x 7'0" entrance door and frame shall not exceed 0.50 CFM per linear foot of perimeter crack. A pair of 6'0" x 7'0" entrance doors and frame shall not exceed 1.0 CFM per linear foot of perimeter crack.
  3. Door Corner Construction: Manufacturer shall provide a limited lifetime warranty for the life of the door under normal use.

#### 1.04 Submittals

- A. General: Prepare, review, approve and submit specified submittals in accordance with "Conditions of the Contract" and Division 1 Submittals Sections. Product data, shop drawings, samples and similar submittals are defined in "Conditions of the Contract."

## GUIDE SPECIFICATION

### Series NS213, MS380 & WS500 Standard Entrances

- B. Quality Assurance/Control Submittals
  - 1. Test Reports: Submit certified test reports showing compliance with specified performance characteristics.

#### 1.05 Warranty

- A. Project Warranty: Refer to “Conditions of the Contract” for project warranty provisions.
- B. Manufacturer’s Product Warranty: Submit, for Owner’s acceptance, manufacturer’s warranty for entrance system as follows:
  - 1. Warranty Period: Two (2) years from Date of Substantial Completion of the project provided however that the Limited Warranty shall begin in no event later than six months from date of initial shipment by Coral Architectural Products. **In addition, door corner construction shall be supported with a limited lifetime warranty for the life of the door under normal use.**

#### 1.06 Quality Assurance

- A. Qualifications:
  - 1. Installer Qualifications: Installer experienced (as determined by contractor) to perform work of this section who has specialized in the installation of work similar to that required for this project and who is acceptable to product manufacturer.
  - 2. Manufacturer Qualifications: Manufacturer capable of providing field service representation during construction, approving acceptable installer and approving application method.
- B. Pre-Installation Meetings: Conduct pre-installation meeting to verify project requirements, substrate conditions, manufacturer’s installation instructions, and manufacturer’s warranty requirements.

#### 1.07 Delivery, Storage, and Handling

- A. Ordering: Comply with manufacturer’s ordering instructions and lead-time requirements to avoid construction delays.
- B. Packing, Shipping, Handling and Unloading: Deliver materials in manufacturer’s original, unopened, undamaged containers with identification labels intact.
- C. Storage and Protection: Store materials protected from exposure to harmful weather conditions. Handle entrance doors and components to avoid damage. Protect entrance doors against damage from elements, construction activities and other hazards before, during and after entrance installation.

## PART 2 – PRODUCTS

EDITOR NOTE: RETAIN BELOW ARTICLE FOR PROPRIETARY METHOD SPECIFICATION; ADD PRODUCT ATTRIBUTES, PERFORMANCE CHARACTERISTICS, MATERIAL STANDARDS AND DESCRIPTIONS AS APPLICABLE. DO NOT USE THE PHRASE “OR EQUAL” / “OR APPROVED EQUAL,” OR SIMILAR PHRASES. USE OF SUCH PHRASES MAY CAUSE AMBIGUITY IN THE SPECIFICATIONS DUE TO OF DIFFERENT INTERPRETATIONS AMONG THE DIVERGENT PARTIES OF THE CONSTRUCTION PROCESS AND READERS OF THE SPECIFICATIONS. SUCH PHRASES REQUIRE EXTENSIVE AND COMPLETE REQUIREMENTS (PROCEDURAL, LEGAL, REGULATORY, AND RESPONSIBILITY) FOR DETERMINING “OR EQUAL.”

#### 2.01 Manufacturers (Acceptable Manufacturers/Products)

- A. Acceptable Manufacturers:
  - 1. Address: Coral Architectural Products  
3010 Rice Mine Road  
Tuscaloosa, AL 35406  
Contact Numbers:
    - a. Telephone: (800) 772-7737
    - b. Fax: (800) 443-6261
    - c. Email: info@coralap.com
    - d. Web Address: www.coralap.com
  - 2. Proprietary Product(s)/System(s) Coral Architectural Products
    - a. Series: [(213) (380), or (500)] Swing Doors (Select) Finish/Color: (See 2.06 Finishes)
    - b. Finish/Color: (See 2.06 Finishes)

**GUIDE SPECIFICATION**

Series NS213, MS380 & WS500 Standard Entrances

EDITOR NOTE: RETAIN BELOW FOR ALTERNATE MANUFACTURERS/PRODUCTS AS SPECIFIED IN THE CONTRACT DOCUMENTS. COORDINATE BELOW WITH BID DOCUMENTS (IF ANY), AND DIVISION 1 ALTERNATES SECTION. CONSULT WITH CORAL ARCHITECTURAL PRODUCTS FOR RECOMMENDATIONS ON ALTERNATE MANUFACTURERS AND PRODUCTS MEETING THE DESIGN CRITERIA AND PROJECT REQUIREMENTS. CORAL ARCHITECTURAL PRODUCTS RECOMMENDS OTHER MANUFACTURERS REQUESTING APPROVAL TO BID THEIR PRODUCT AS AN EQUAL MUST SUBMIT THEIR REQUEST IN WRITING (10) DAYS PRIOR TO CLOSE.

- B. Alternate (Manufacturers/Products): In lieu of providing below specified base bid/contract manufacturer, provide below specified alternate manufacturers. Refer to Division 1 Alternates Section.
  - 1. Base Bid/Contract Manufacturer/Product: Coral Architectural Products
    - a. Product: Aluminum Entrances
    - b. Series: [(213) (380), or (500)] Swing Doors (Select)
    - c. Product Attributes:
- C. Substitutions:
  - 1. General: Refer to Division 1 Substitutions for procedures and submission requirements.
    - a. Pre-Contract (Bidding Period) Substitutions: Submit written requests ten (10) days prior to bid date.
    - b. Post-Contract (Construction Period) Substitutions: Submit written request in order to avoid entrance installation and construction delays.
  - 2. Substitution Documentation:
    - a. Product Literature and Drawings: Submit product literature and drawings modified to suit specific project requirements and job conditions.
    - b. Certificates: Submit certificate(s) certifying substitute manufacturer (1) attesting to adherence to specification requirements for entrance system performance criteria.
    - c. Test Reports: Submit test reports verifying compliance with each test requirement required by the project.
    - d. Product Sample and Finish: Submit product sample, with specified finish and color.
  - 3. Substitution Acceptance: Acceptance will be in written form, either as an addendum or modification, and documented by a formal change order signed by the Owner and Contractor.

**2.02 Materials**

- A. Aluminum (Entrances and Components):
  - 1. Material Standard: ASTM B 221; 6063-T6 alloy and temper
  - 2. The door stile and rail face dimensions of the [ ] (choose one: [(213) (380) (500)] entrance door will be as follows)

Door Series	Vertical Stile	Top Rail	Bottom Rail	ADA Bottom Rail	Traffic Application
213	2 1/8"	2 1/4"	4"	9 1/2" (optional)	Normal
380	3 3/4"	4"	7 1/2"	9 1/2" (optional)	Moderate
500	5"	4"	7 1/2"	9 1/2" (optional)	Heavy

- 3. Major portions of the door members to be 0.125" nominal in thickness and glazing molding to be 0.05" thick.
- 4. Tolerances: Reference to tolerances for wall thickness and other cross-sectional dimensions of entrance members are nominal and in compliance with Aluminum Standards and Data, published by The Aluminum Association.
- B. Glazing gaskets shall be EPDM elastomeric extrusions
- C. Provide adjustable glass jack to help center the glass in the door opening.

**2.03 Accessories**

- A. Fasteners: Where exposed, shall be aluminum, stainless steel or plated steel.
- B. Perimeter Anchors: When steel anchors are used, provide insulation between steel material and aluminum material to prevent galvanic action.

## GUIDE SPECIFICATION

EDITOR NOTE: REVISE BELOW FOR SPECIFIC HARDWARE FOR EACH SPECIFIC ENTRANCE TYPE. TO INSURE SINGLE SOURCE RESPONSIBILITY AND TIMELY COORDINATION, CORAL ARCHITECTURAL PRODUCTS RECOMMENDS THAT YOUR FINISH HARDWARE REQUIREMENTS BE INCLUDED IN THIS SECTION. IF THESE REQUIREMENTS MUST BE FURNISHED UNDER THE "FINISH HARDWARE" SECTION OF THE SPECIFICATIONS, THE FOLLOWING STATEMENT SHOULD BE INCLUDED. "THE FINISH HARDWARE SUPPLIER SHALL BE RESPONSIBLE FOR FURNISHING PHYSICAL HARDWARE TO THE ENTRANCE MANUFACTURER PRIOR TO FABRICATION, AND FOR COORDINATING HARDWARE DELIVERY REQUIREMENTS WITH THE HARDWARE MANUFACTURER, THE GENERAL CONTRACTOR AND THE ENTRANCE MANUFACTURER TO INSURE THE BUILDING PROJECT IS NOT DELAYED." IF LOCK CYLINDERS FOR ALUMINUM DOORS ARE TO BE MASTER-KEYED, IT IS SUGGESTED THAT CYLINDERS BE INCLUDED UNDER THE "FINISH HARDWARE" SECTION OF THE SPECIFICATIONS.

### C. Standard Entrance Hardware

1. Weather-stripping:
  - a. Meeting stiles on pairs of doors shall be equipped with a spring-loaded adjustable astragal with a double row of wool pile weather-stripping. Gaps in weathering at lock location of meeting stile on door pair shall not be allowed.
  - b. The door weathering on a single acting offset pivot or butt hung frame (single or pairs) shall have wool pile or EPDM bulb gasket (Necessary to meet specified performance tests.)
2. Bottom Door Sweep: EPDM blade gasket sweep strip in an aluminum extrusion applied to the interior exposed surface of the bottom rail with concealed fasteners. (Note: Bottom Door Sweeps are required to meet specified performance for air infiltration)
3. Threshold: Extruded aluminum, one piece per door opening, with ribbed surface.
4. Center Pivots: [\_\_\_\_\_].
5. Offset Pivots: [\_\_\_\_\_].
6. Butt Hinge: [\_\_\_\_\_].
7. Continuous Gear Hinge: [\_\_\_\_\_].
8. Push/Pull: [\_\_\_\_\_] style.
9. Panic Device: [\_\_\_\_\_].
10. Closer: [\_\_\_\_\_].
11. Security Lock/Dead Lock: Active Leaf [\_\_\_\_\_]; Inactive Leaf [\_\_\_\_\_].
12. Latch Handle: [\_\_\_\_\_].
13. Cylinder(s)/Thumb-turn: [\_\_\_\_\_].
14. Electric Strike/Strike Keeper: [\_\_\_\_\_].

### 2.04 Related Materials

- A. Sealants: Refer to Joint Treatment (Sealants) Section.
- B. Glass: Refer to Glass and Glazing Section.

### 2.05 Fabrication

- A. Entrance System Fabrication:
  1. Door corner construction shall consist of an interlocking slide-in stabilizer corner block, mechanically fastened to door stile with 3/8" diameter bolts threaded into steel square nut back-up plates. Top and bottom rails are mechanically attached to corner blocks at all four corners with #10 x 3/4" steel fasteners. Glazing stops shall be compression fit type with EPDM glazing gaskets.
  2. Accurately fit and secure joints and corners. Make joints hairline in appearance.
  3. Prepare components with internal reinforcement for door hardware.
  4. Arrange fasteners and attachments to conceal from view.

### 2.06 Finishes

EDITOR NOTE: SELECT BELOW FINISH AND COLOR FROM CORAL ARCHITECTURAL PRODUCT'S STANDARD COLORS. CORAL'S POWDER COAT FINISHES ARE HIGH-PERFORMANCE DURABLE FINISHES OFFERING IMPROVED GLOSS RETENTION AND ENHANCED RESISTANCE TO CHALKING AND FADING. CUSTOM COLORS ARE AVAILABLE UPON REQUEST FROM CORAL ARCHITECTURAL PRODUCTS IN A TWO COMPONENT POLYESTER POWDER COAT FINISH CONFORMING TO AAMA 2604 AND (70%) THERMOSETTING FLUOROPOLYMER POWDER COAT FINISH CONFORMING TO AAMA 2605. CONSULT WITH YOUR CORAL SALES OR ARCHITECTURAL REPRESENTATIVE FOR OTHER SURFACE TREATMENTS AND FINISHES.

## GUIDE SPECIFICATION

### A. Shop Finishing

1. Color Anodizing Conforming to AA-M12C22A34, AAMA 611, Architectural Class I. Color Anodic Coating (Color: #20 **Dark Bronze**) (Standard) or AA-M12C22A44, AAMA 611, Architectural Class I. Color Anodic Coating (Color: #30 **Black**) (Select).
2. Clear Anodizing Conforming to AA-M12C22A31, AAMA 611, Architectural Class I. Clear Anodic Coating (**Clear**: #10) (Standard).
3. Two Component Polyester Powder Coating Conforming to AAMA 2604 (Color: \_\_\_\_\_).
4. (70%) Fluoropolymer Thermosetting Powder Coating Conforming to AAMA 2605 (Color: \_\_\_\_\_).
5. Other: Manufacturer \_\_\_\_\_ Type \_\_\_\_\_ Color: \_\_\_\_\_).

### 2.07 Source Quality Control

- A. Source Quality: Provide aluminum entrances specified herein from a single source.
1. Building Enclosure System: When aluminum entrances are part of a building enclosure system, including storefront framing, window wall systems, curtain wall system and related products, provide building enclosure system products from a single source manufacturer.
- B. Fabrication Tolerances: Fabricate aluminum entrances in accordance with entrance manufacturer's prescribed tolerances.

## PART 3 – EXECUTION

### 3.01 Examination

- A. Site Verification of Conditions: Verify substrate conditions (which have been previously installed under other sections) are acceptable for product installation in accordance with manufacturer's instructions. Verify openings are sized to receive entrance system and sill is level in accordance with manufacturer's acceptable tolerances.

EDITOR NOTE: COORDINATE BELOW ARTICLE WITH MANUFACTURER'S RECOMMENDED INSTALLATION DETAILS AND INSTRUCTIONS.

1. Field Measurements: Verify actual measurements/openings by field measurements before fabrication; show recorded measurements on shop drawings. Coordinate field measurements, fabrication schedule with construction progress to avoid construction delays.

### 3.02 Installation

- A. General: Install entrance system in accordance with manufacturer's instructions and AAMA storefront and entrance guide specifications manual.
1. Attach to structure to permit sufficient adjustment to accommodate construction tolerances and other irregularities.
  2. Provide alignment attachments and shims to permanently fasten system to building structure.
  3. Align assembly plumb and level, free of warp and twist. Maintain assembly dimensional tolerances aligning with adjacent work.
  4. Set thresholds in bed of mastic and secure.
  5. Adjusting: Adjust operating hardware for smooth operation.
- B. Related Products Installation Requirements:
1. Sealants (Perimeter): Refer to Section 7 Joint Treatment (Sealants).
  2. Glass: Refer to Section 8 Glass and Glazing.
    - a. Reference: ANSI Z97.1, CPSC 16 CFR 1201 and GANA Glazing Manual.

### 3.03 Cleaning and Protection

- A. Cleaning: Remove temporary coverings and protection of adjacent work areas. Repair or replace damaged installed products. Installed products must be cleaned in accordance with manufacturer's instructions prior to owner's acceptance. Remove construction debris from project site and legally dispose of debris.
- B. Protection: Protect installed product's finish surfaces from damage during construction. Protect aluminum entrances from damage from grinding and polishing compounds, plaster, lime, acid, cement or other harmful contaminants. Remove and replace damaged aluminum entrances at no extra cost.

# Standard Entrances

Series 213 • 380 • 500



---

## GUIDE SPECIFICATION

### DISCLAIMER STATEMENT

This guide specification is to only be used by qualified construction specifiers. The guide specification is not intended to be verbatim as a project specification without appropriate modifications for the specific use intended. The guide specification must be used and coordinated with the procedures of each design firm and the particular requirements of a specific construction project.

**END OF SECTION 08410**



## FEATURES AND BENEFITS

### System Description

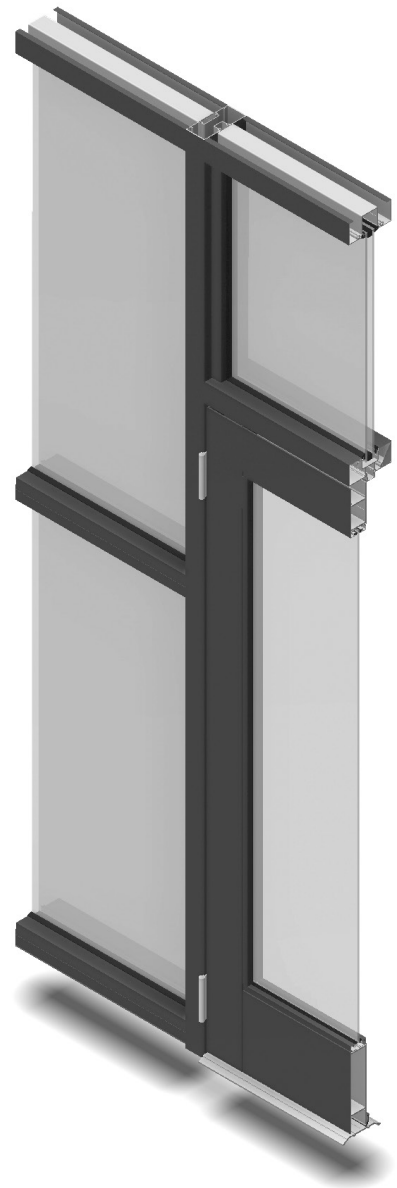
Coral Architectural Products entrance doors are not only architecturally pleasing, with the appropriate styling for commercial and institutional applications, but are also incomparably strong. Coral offers a limited lifetime warranty for the door corner construction of its entrance door. Any door which fails due to the corner construction will be replaced free of charge. Series 213 Narrow Stile, 380 Medium Stile and 500 Wide Stile entrance doors are available with various standard hardware options and can easily be adapted to accept a number of custom hardware requirements.

### Features

- Accepts ¼" or 1" Glazing Infills
- Interlocking Corner Block Construction
- Offset Pivots, Butt Hinges or Continuous Geared Hinge
- Surface Mounted or Concealed Overhead Closer Configuration
- Standard and Custom Hardware Options
- Fully Tested
- Limited Lifetime Warranty on Door Corner Construction

### Performance Test Standards

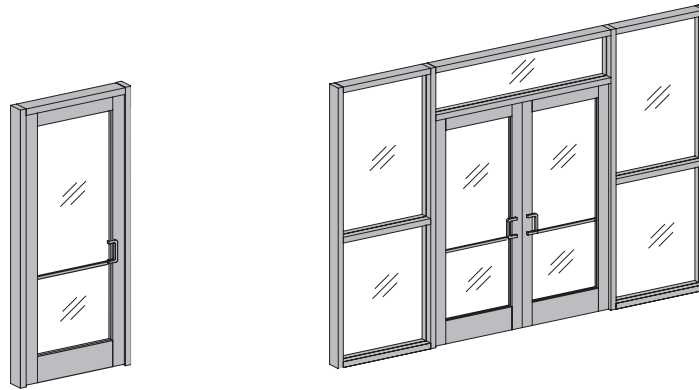
- ASTM E 283 - Air Infiltration Test
- AAMA 1304 - Forced Entry Resistance Test
- ASTM E 330 - Uniform Load Deflection and Structural Test
- Florida Product Approval Numbers –  
FL15874 (Offset Pivot) FL15798 (Butt Hung)



# Standard Entrances

Series 213 • 380 • 500

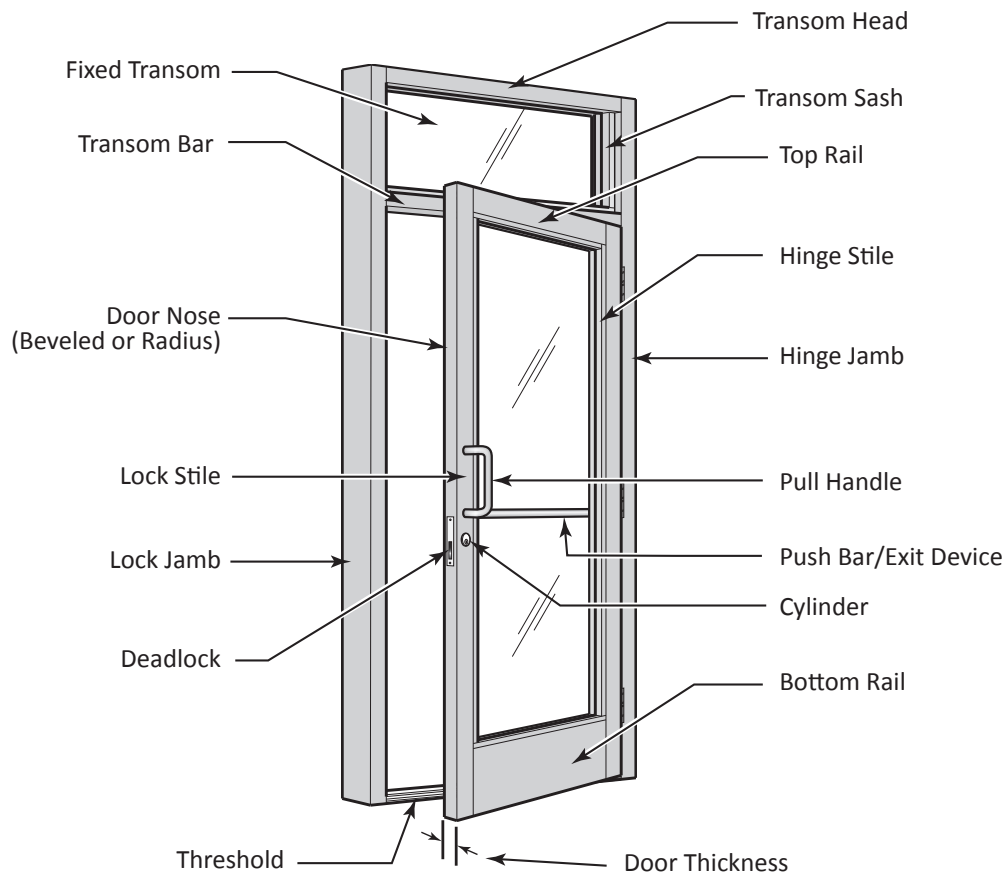
## Selection Guide

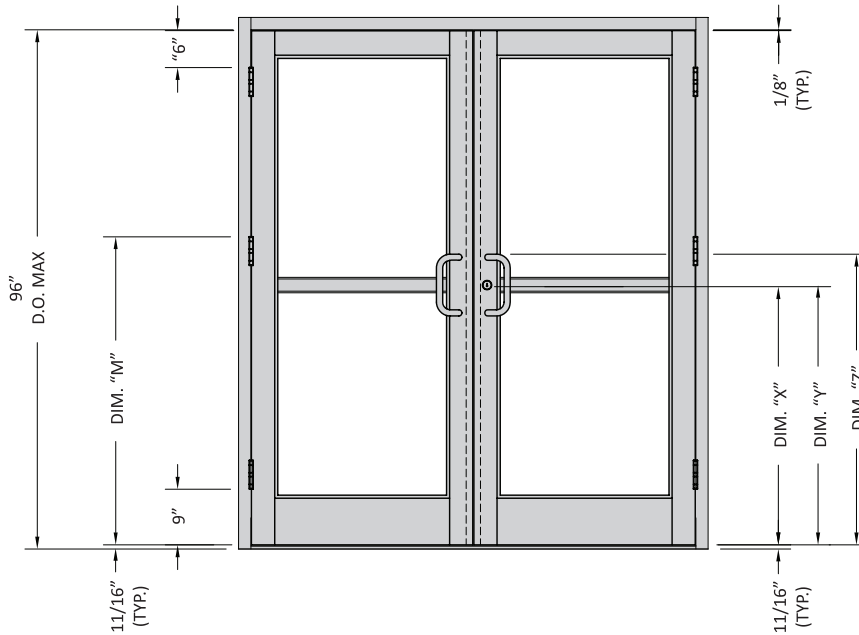


Aluminum Entrance Doors	VERTICAL STILE	TOP RAIL	BOTTOM RAIL	RECOMMENDED LIMITATIONS	TRAFFIC APPLICATION
Series 213 Narrow Stile	2 1/8"	2 1/4"	4"	3'-3" x 8'-0"	Normal
Series 380 Medium Stile	3 3/4"	4"	7 1/2"	3'-6" x 9'-0"	Moderate
Series 500 Wide Stile	5"	4"	7 1/2"	3'-6" x 9'-0"	Heavy

Note: Entrances exceeding 3'-6" x 7'-6" in height require an intermediate butt hinge or pivot.

### COMMON ENTRANCE AND FRAME DESCRIPTIONS

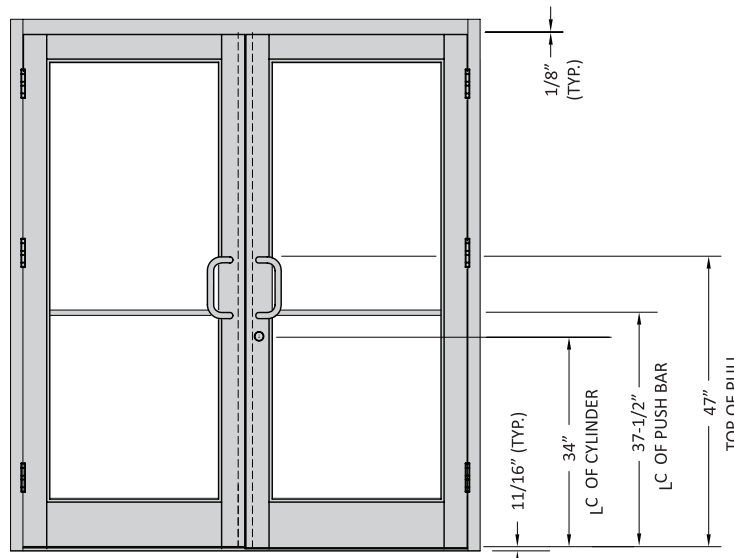




INTERMEDIATE HINGE	
D.O. HEIGHT	DIM. "M"
	BUTT HUNG
84"	45 <sup>11</sup> / <sub>32</sub> "
96"	51 <sup>11</sup> / <sub>32</sub> "

**Note:** D.O.H. exceeding 90" or D.O.W. exceeding 42" require an intermediate hinge.

HARDWARE LOCATIONS FOR PANIC DOORS				
MANUFACTURER	PANIC DEVICE	CL OF CYLINDER	CL OF PANIC	DIM "Z" TOP OF PULL
FIRST CHOICE	3192 C.V.R.	39 <sup>5</sup> / <sub>32</sub> "	41 <sup>3</sup> / <sub>32</sub> "	44 <sup>5</sup> / <sub>32</sub> "
FIRST CHOICE	3692 C.V.R.	41 <sup>9</sup> / <sub>16</sub> "	40 <sup>5</sup> / <sub>8</sub> "	46 <sup>9</sup> / <sub>16</sub> "
FIRST CHOICE	3792 RIM	41 <sup>9</sup> / <sub>16</sub> "	41 <sup>9</sup> / <sub>16</sub> "	46 <sup>9</sup> / <sub>16</sub> "
JACKSON	2086 C.V.R.	37 <sup>7</sup> / <sub>8</sub> "	38 <sup>5</sup> / <sub>32</sub> "	42 <sup>7</sup> / <sub>8</sub> "
JACKSON	2095 RIM	38 <sup>13</sup> / <sub>32</sub> "	38 <sup>5</sup> / <sub>32</sub> "	43 <sup>13</sup> / <sub>32</sub> "

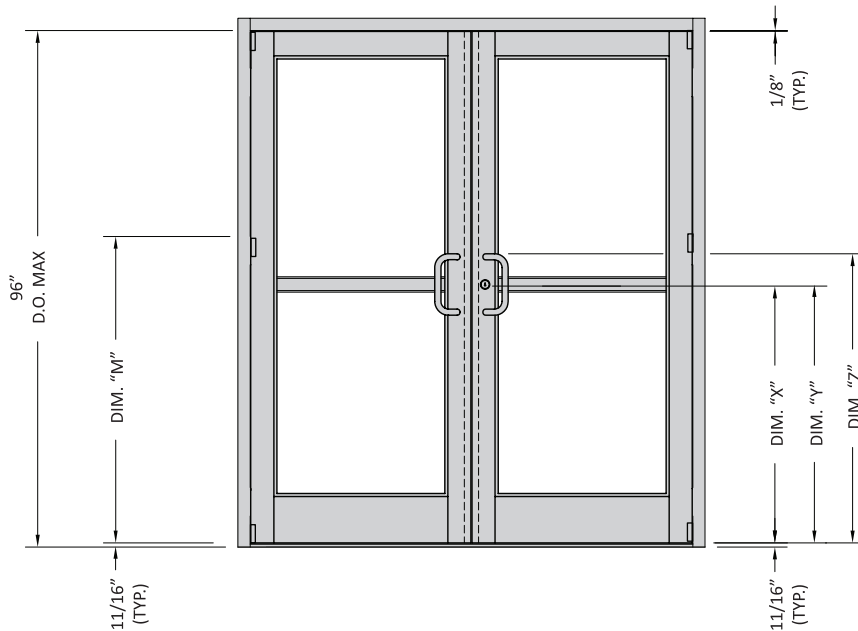


**Note:** Medium Stile Doors used for Illustration Purposes. Hardware locations are similar for Narrow and Wide Stile Doors

# Standard Entrances

Series 213 • 380 • 500

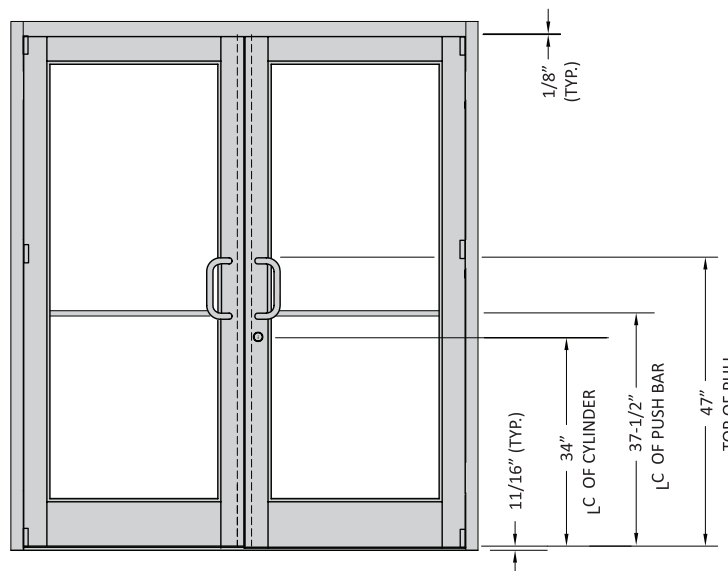
## Hardware Locations



OFFSET INTERMEDIATE PIVOT LOCATION	
D.O. HEIGHT	DIM. "M"
	Offset Pivot
84"	
96"	

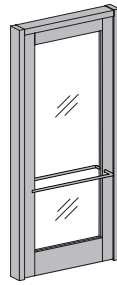
**Note:** D.O.H. exceeding 90" or D.O.W. exceeding 42" require an intermediate offset pivot.

HARDWARE LOCATIONS FOR PANIC DOORS				
MANUFACTURER	PANIC DEVICE	DIM "X" OF CYLINDER	DIM "Y" OF PANIC	DIM "Z" TOP OF PULL
FIRST CHOICE	3192 C.V.R.	39 <sup>5</sup> / <sub>32</sub> "	41 <sup>3</sup> / <sub>32</sub> "	44 <sup>5</sup> / <sub>32</sub> "
FIRST CHOICE	3692 C.V.R.	41 <sup>9</sup> / <sub>16</sub> "	40 <sup>5</sup> / <sub>8</sub> "	46 <sup>9</sup> / <sub>16</sub> "
FIRST CHOICE	3792 RIM	41 <sup>9</sup> / <sub>16</sub> "	41 <sup>9</sup> / <sub>16</sub> "	46 <sup>9</sup> / <sub>16</sub> "
JACKSON	2086 C.V.R.	37 <sup>7</sup> / <sub>8</sub> "	38 <sup>5</sup> / <sub>32</sub> "	42 <sup>7</sup> / <sub>8</sub> "
JACKSON	2095 RIM	38 <sup>13</sup> / <sub>32</sub> "	38 <sup>5</sup> / <sub>32</sub> "	43 <sup>13</sup> / <sub>32</sub> "



Note: Medium Stile Doors used for Illustration Purposes. Hardware locations are similar for Narrow and Wide Stile Doors

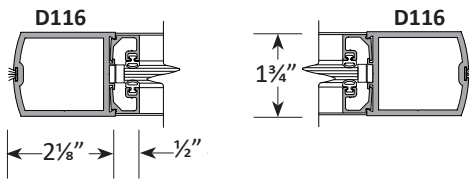
Standard Details  
Scale: 3" = 1'-0"



**Double Acting**

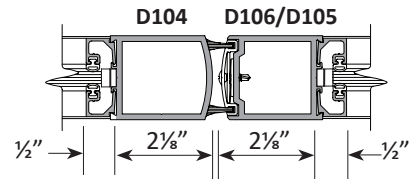


**Single Acting**

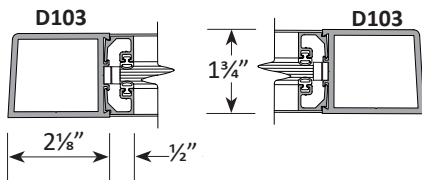


Single door

**Double Acting**

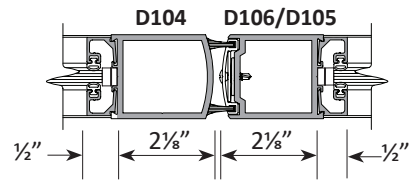


Meeting stiles for pair of doors

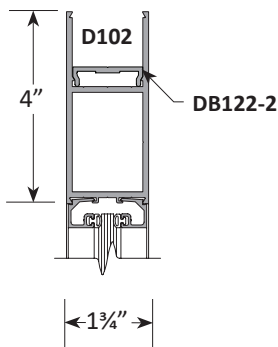


Single door

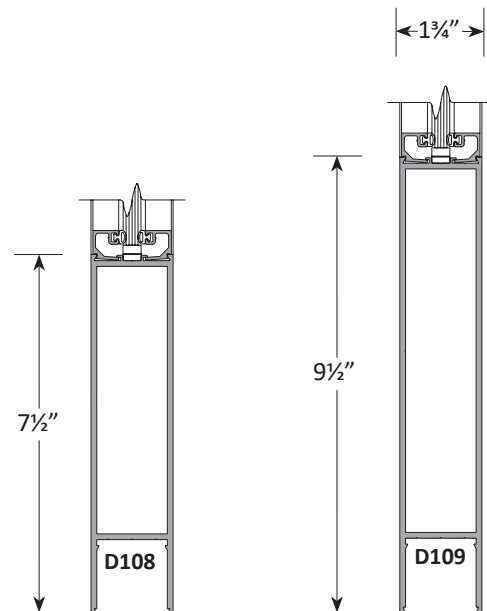
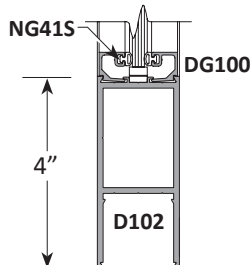
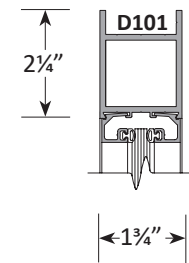
**Single Acting**



Meeting stiles for pair of doors



D102 top rail used w/DB122-2 for offset arm.  
Note: Requires special glass size.

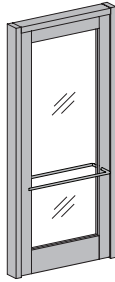


# Standard Entrances

## Series 380 Medium Stile

### Standard Details

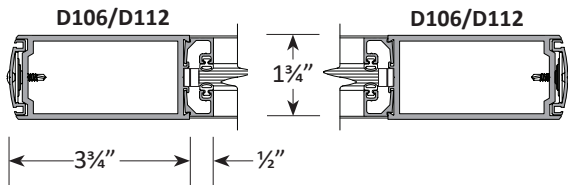
Scale: 3" = 1'-0"



**Double Acting**

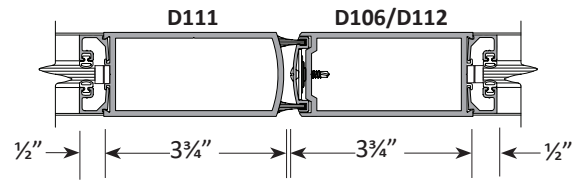


**Single Acting**

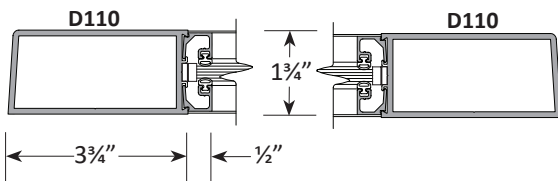


Single door

**Double Acting**

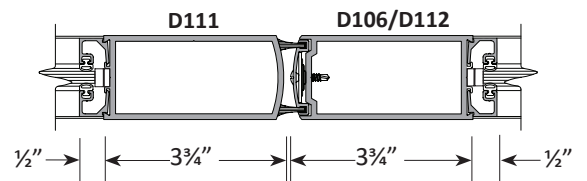


Meeting stiles for pair of doors

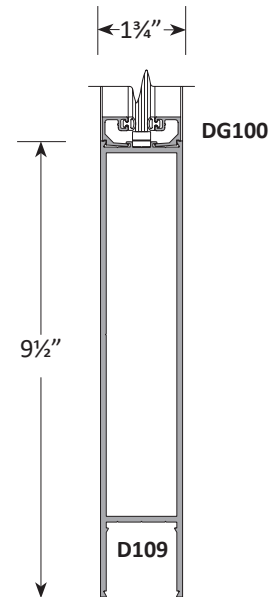
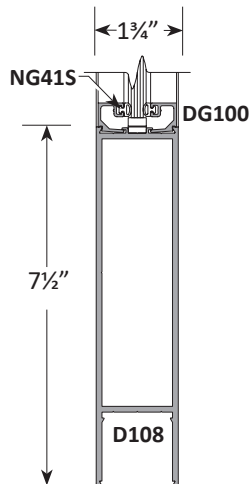
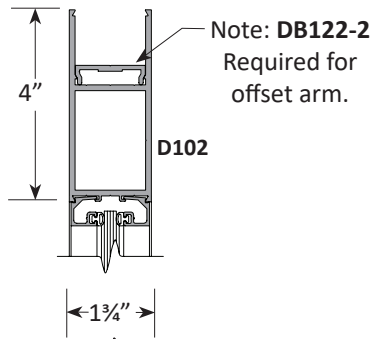
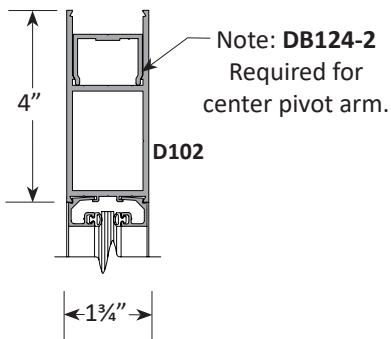


Single door

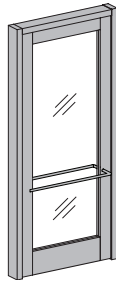
**Single Acting**



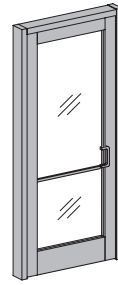
Meeting stiles for pair of doors



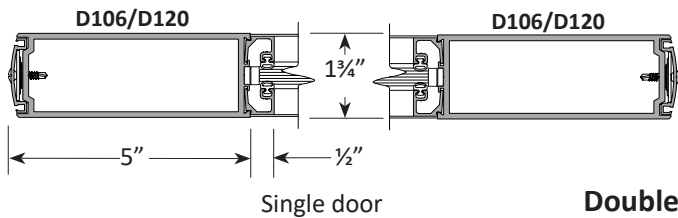
Standard Details  
Scale: 3" = 1'-0"



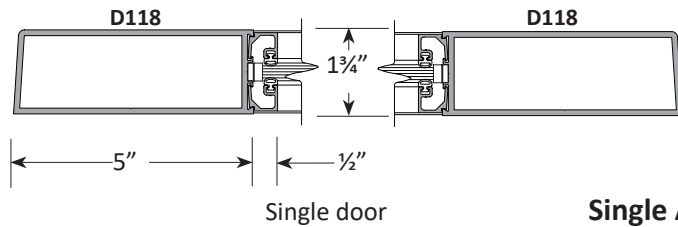
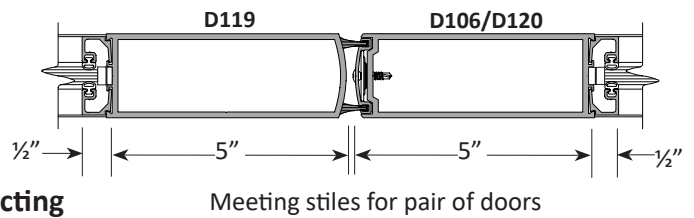
**Double Acting**



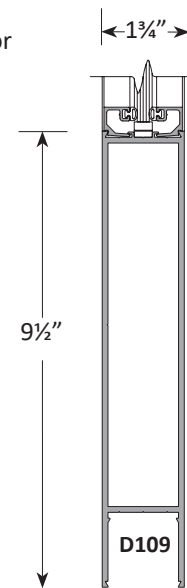
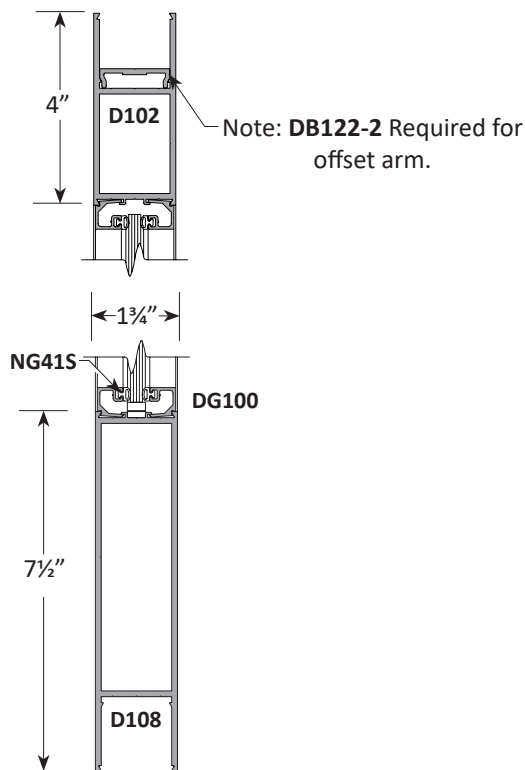
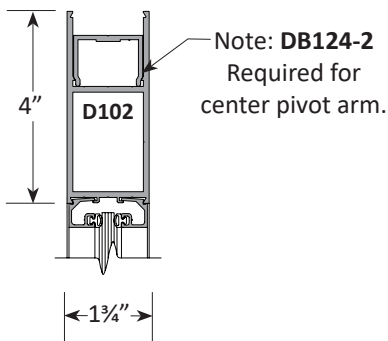
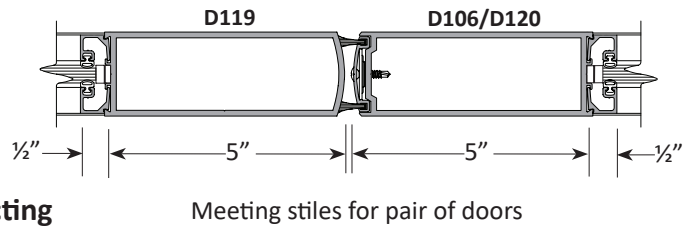
**Single Acting**



**Double Acting**



**Single Acting**

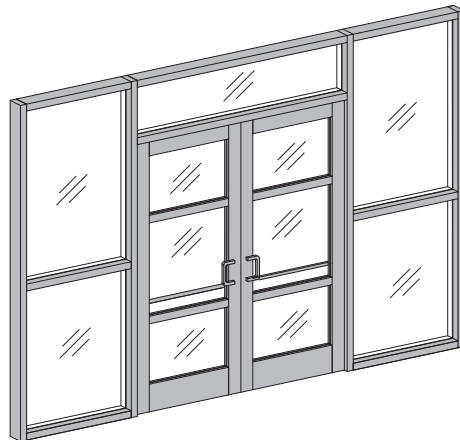


# Standard Entrances

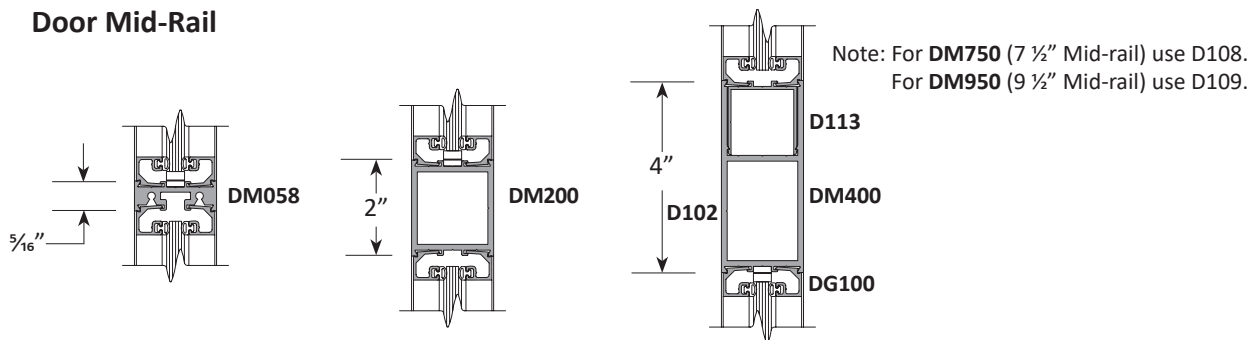
Series 213 • 380 • 500

## Accessories and Options

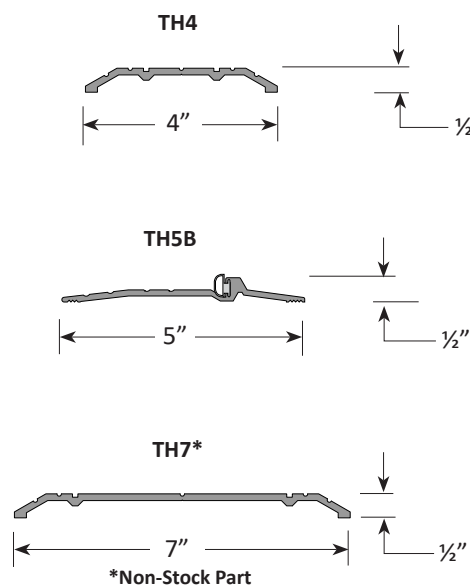
Scale: 3" = 1'-0"



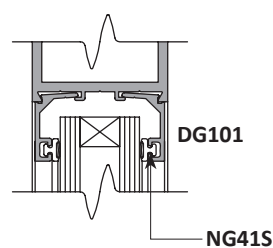
### Door Mid-Rail



### Thresholds



### Glazing Options



### Bottom Rail with Weather Sweep

